

NERC's Focus on Distributed Energy Resources

Dan Kopin

Utility Services, Inc.

CIGRE GOTF Symposium

November 2019

NERC Operating Plan (2017)

“Augment **data collection** and insights into distributed energy resources and their potential impact on the BPS.”

“Identify the type and periodicity of information needed from distributed energy resources to improve **load forecasting**, **generator modeling**, and **situation awareness**.”

“Address **coordination** requirements between BPS and distribution system planners and operators to account for the uncertainty introduced by integration of variable generation, including the impact of weather on these resources.”

NERC SPIDER WG (2018)

System Planning Impacts from Distributed Energy Resources
Working Group (SPIDER WG)

“...a stakeholder forum for focusing on DER from **transmission planning** and **system analysis** perspectives.”

Emphases: Modeling, Verification, Studies, & Coordination

Some Specific Issues of Concern...

Awareness

MOD-032-1

Data for Power
System Modeling
and Analysis

Planning

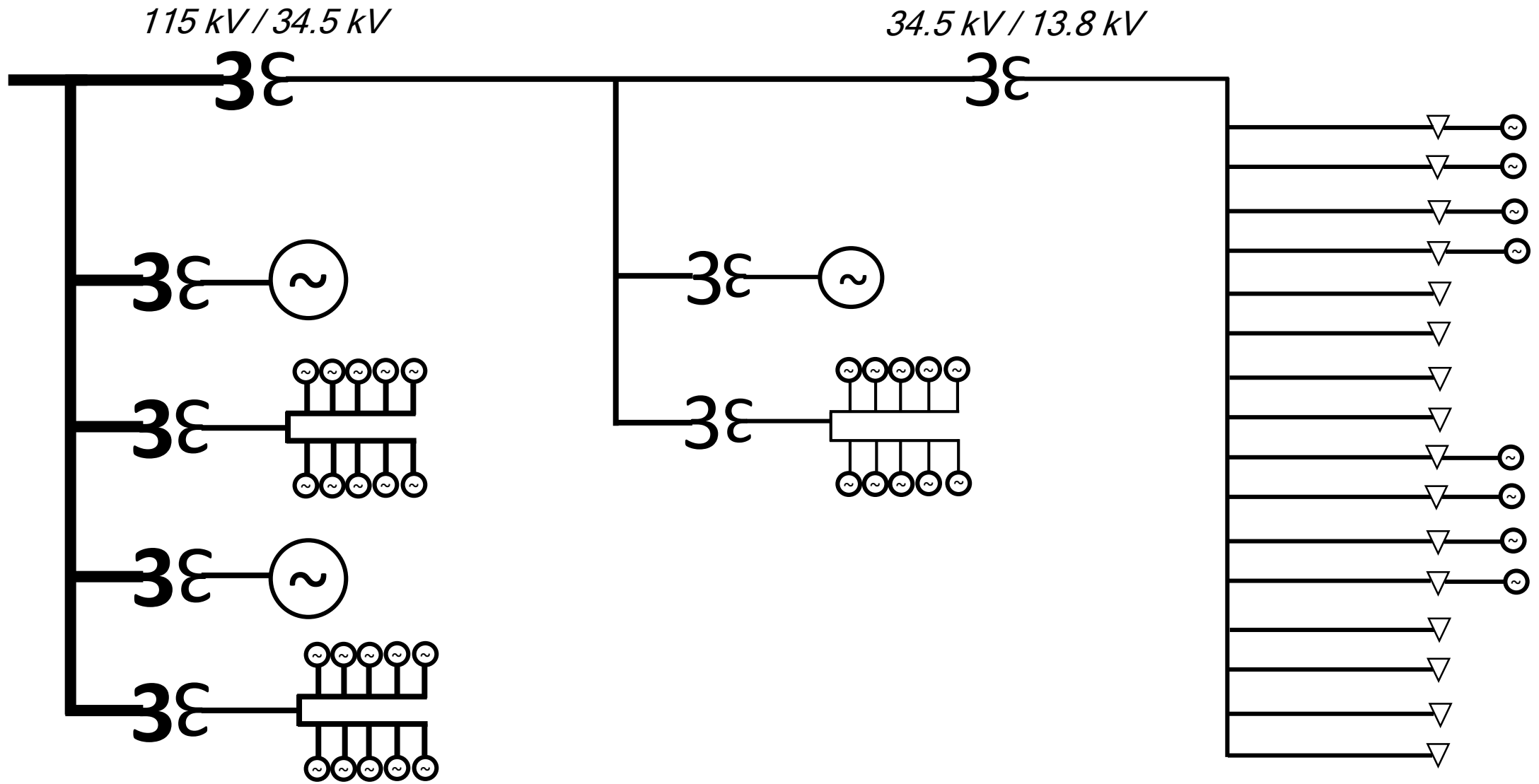
TPL-001-5

Transmission
System
Planning
Performance
Requirements

Balancing

PRC-006-3

Automatic
Underfrequency
Load Shedding



⊙ Supply

▽ Demand

3ϵ Transformer

What was once demand is now supply...